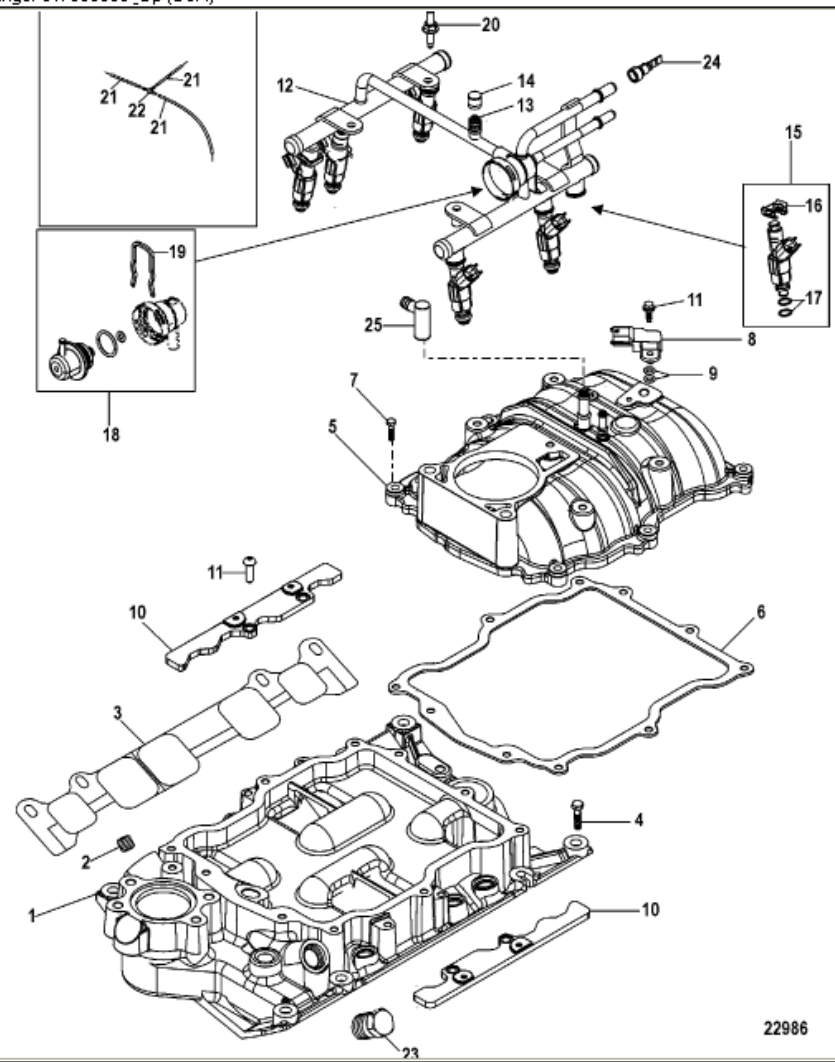


| Parts List | | | | | |
|------------|-------|-----------|------------------------------------|-----|----------|
| Ref | Class | Part | Description | Qty | Footnote |
| 1 | | 888771T | INTAKE MANIFOLD, Lower | 1 | |
| 2 | 22 | 48358 | PLUG, (.375) | 1 | |
| 3 | 27 | 824326002 | GASKET SET, Intake Manifold | 1 | 2 |
| 4 | 10 | 808010 | SCREW, (.312-24 x 1.375) | 8 | |
| 5 | | 888773T | INTAKE MANIFOLD, Upper | 1 | |
| 6 | 27 | 888774 | GASKET, Intake Manifold | 1 | 2 |
| 7 | 10 | 885166 | SCREW | 8 | |
| 8 | | 885165 | SENSOR, Manifold Air Pressure an | 1 | |
| 9 | 25 | 881733 | SEAL | 2 | 2 |
| 10 | | NSS | NOT SOLD SEPARATE, Bracket-C | 1 | |
| 11 | 10 | 885166 | SCREW | 4 | |
| 12 | | 888775T | FUEL RAIL ASSEMBLY | 1 | |
| 13 | | 885178 | VALVE, Fuel Pressure Service | 1 | |
| 14 | | 885179 | CAP, Fuel Pressure Service Valve | 1 | |
| 15 | | 885176 | INJECTOR | 6 | |
| 16 | | 885177 | RETAINER, Injector | 1 | |
| 17 | 25 | 892609 | O-RING KIT | 1 | |
| 18 | | 885174 | REGULATOR, Fuel Pressure | 1 | |
| 19 | | 885175 | CLIP, Fuel Pressure Regulator Retz | 1 | |
| 20 | 10 | 885180 | SCREW | 4 | |
| 21 | 32 | 806173 82 | HOSE, (58.00 Inches Bulk) (Cut to | 2 | |
| 22 | 22 | 806689 | FITTING, Tee | 1 | |
| 23 | 22 | 866157 | PLUG | 1 | |
| 24 | 22 | 862360 1 | PLUG, Fuel Rail Block Off | 1 | |
| 25 | 22 | 863432T | FITTING, 90 Degree | 2 | |
| - | 27 | 807756A01 | GASKET SET, Engine Overhaul | 1 | |



22986